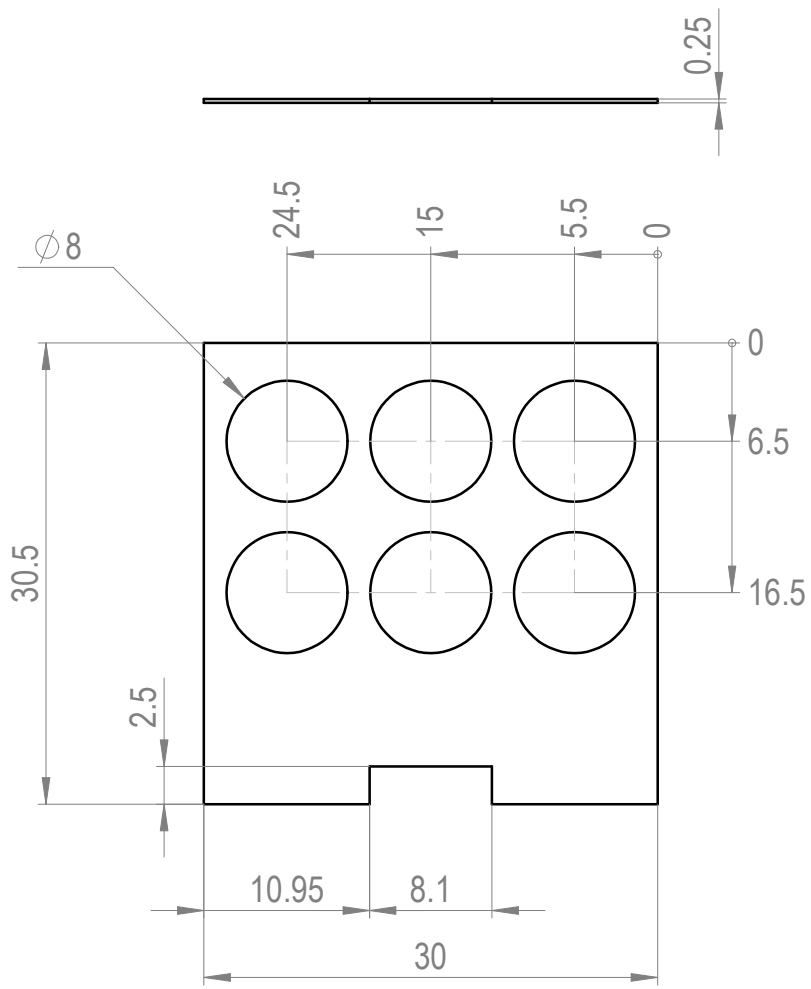


1		2		3	
A	26/10/21	G.Goulet		Mise en plan	
MOD	DATE	DRND.	APPD.	DESCRIPTION	



REMOVE ALL BURRS AND SHARP EDGES.

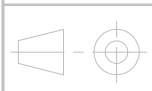
		Inox 316L			
DESCRIPTION	/	REMARKS	MATERIAL	TREATMENT	W.(Kg)



	NAME	DATE
DRN.	G.Goulet	26/10/2021
CKD.		
APPD.		

ID21
Carré 6 trous 8mm

GEN. TOL. :
GEN. SURFACE FINISH :



**EUROPEAN SYNCHROTRON
RADIATION FACILITY**

ASSY.

A4

CS 40220 - 38043 Grenoble Cedex 9
TEL. 04-76-88-20-00 WWW.ESRF.FR

A